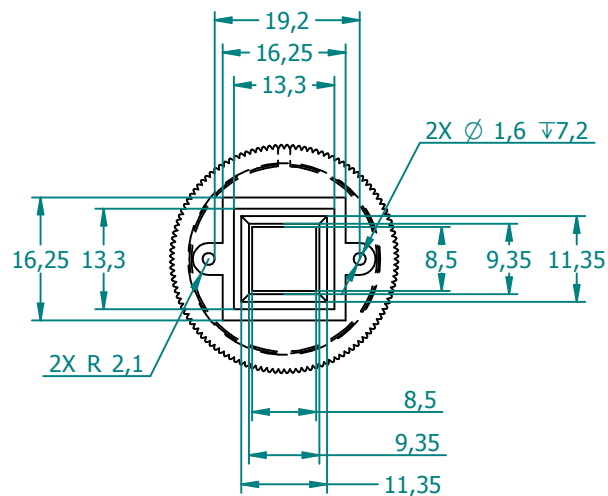
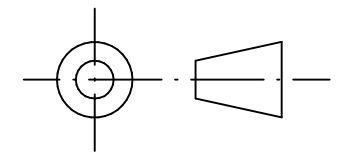
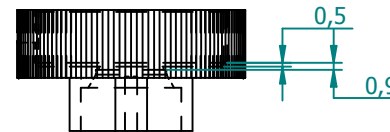
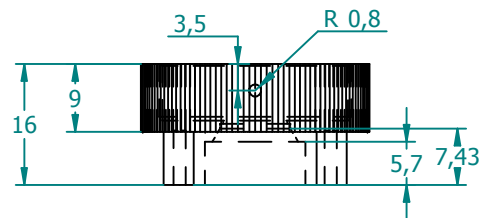
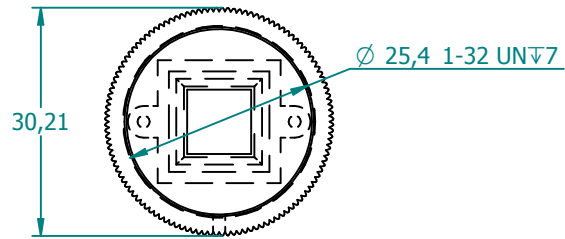



REVISION HISTORY

REV	DESCRIPTION	DATE	APPROVED



	NAME	DATE	 M12 LENSES INC.		
DRAWN	Tharaka	07/01/12			
CHECKED					
ENG APPR					
MGR APPR			TITLE		
UNLESS OTHERWISE SPECIFIED DIMENSIONS ARE IN MILLIMETERS ANGLES ±0.5° 2 PL ±0.02 PL ±0.01			PT-LH016CSP		
			SIZE	DWG NO	REV
			A4	PT-LH-016CSP-DWG-01-1	1.00
			FILE NAME: PT-LH016CSP.dft		
SCALE:		WEIGHT:	SHEET 1 OF 1		